

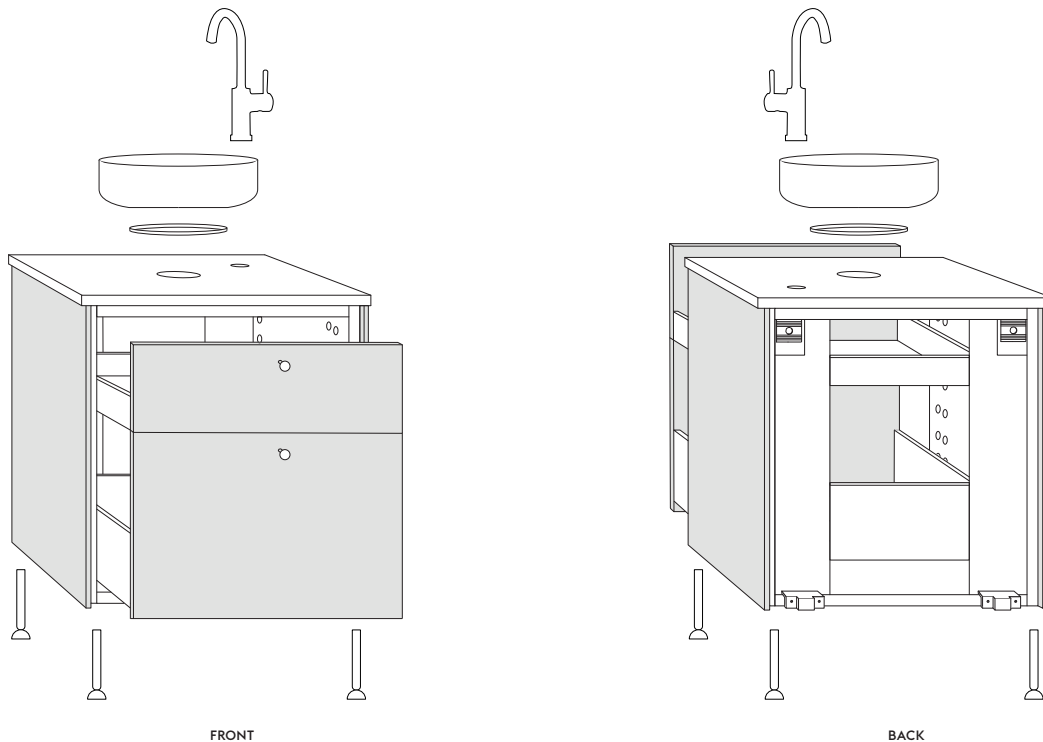
Read the full description before you begin. *Remember that cheaters never win!* 😊

The following is a summary description of all stages in the installation of your vanity unit. We ask you to read the full description before you begin. For each individual product, a more detailed description will follow.

These mounting instructions assume that all parts needed for a complete bathroom vanity come from Superfront. Besides the Ikea products, of course. Superfront does not take responsibility for assembly which includes products outside our assortment.

Finished result

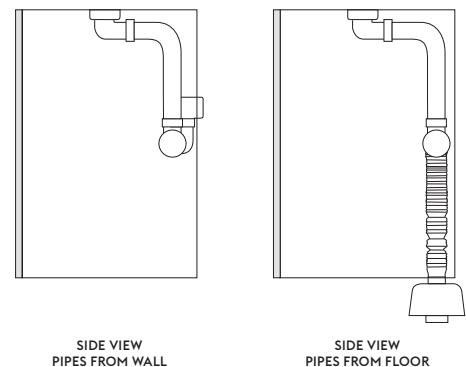
The result varies depending on the size of the vanity unit and whether it has drawers or doors. Below is an example of what a vanity with two drawers can look like.



Pipes from wall or floor.

Depending on whether the pipes come out of the floor or the wall, the mounting looks different. The water trap supplied with our sinks is adaptable to fit both ways of mounting.

If the pipe comes from the floor and you're going to have door fronts on your vanity, you can skip step 1 on the next page.



Safety!

Be sure to always secure your vanity unit to the wall, regardless of whether you'll have legs on your furniture or not. Use the fittings provided by Ikea. We also recommend that you use Ikea's mounting rail; it makes the installation easier and more stable. Note that all plumbing work must be performed by an authorized specialist. All other installations must be carried out according to the instructions. This is of paramount importance for the warranty to be valid.

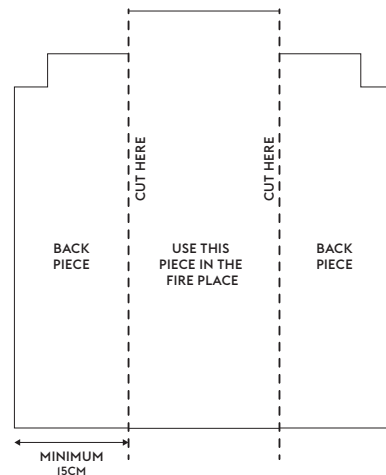
1. Before you mount your Ikea frame.

The back piece must be cut in 3 pieces. This because the center part should be removed to create space for the pipes if these enter the cabinet frame from the wall.

NOTE! If the pipes enter the frame from the bottom, this step does not need to be done.

Cutting is easily done with a sharp razor knife. Place the back cover on a hard surface and cut along a steel ruler or similar. You may need to pull the knife several times but have patience so that the cut becomes nice and clean.

The back piece on either side must be at least 15cm wide. The wider the better.

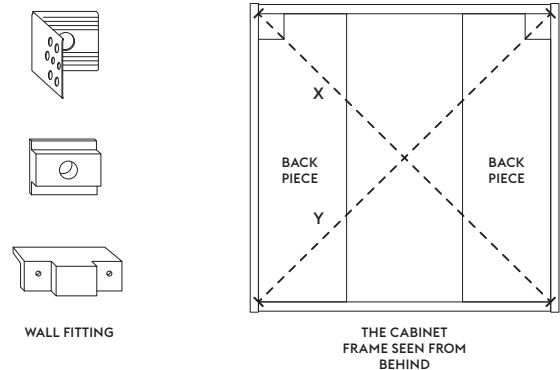


2. Assemble your Metod cabinet.

Now you can start mounting your Ikea frame. Follow the assembly instructions supplied with the Ikea Metod frame.

IMPORTANT! The wall fittings (which you received from Ikea) must be mounted to the frame. If these are excluded, you may have problems with fitting the pipes between the wall and the frame and the risk is great that your Superfront sides are mounted incorrectly.

It's also important to square check the frame so that it becomes completely straight, i.e. measure diagonally both ways to ensure that the frame will not be rhombus-shaped. The distances X and Y must be equally long.



3. Mount the Superfront sides on the Metod cabinet.

See the separate mounting instructions supplied with the sides.

4. Mount the Superfront legs on the Metod cabinet.

See the separate mounting instructions supplied with the legs of your choice.

Safety!

Be sure to always secure your vanity unit to the wall, regardless of whether you'll have legs on your furniture or not. Use the fittings provided by Ikea. We also recommend that you use Ikea's mounting rail; it makes the installation easier and more stable. Note that all plumbing work must be performed by an authorized specialist. All other installations must be carried out according to the instructions. This is of paramount importance for the warranty to be valid.

5. Mount the cabinet to the wall.

See the separate assembly instructions that come with the Metod frame from Ikea.

We strongly recommend that you use the Ikea mounting rail for wall mounting. For a 120cm wide vanity unit consisting of two frames, it is important that you use all four angle brackets when you attach the frames to the suspension rail. It's not enough to use only the outer fastening points; two angles per frame must be used. Screw the two frames together when they are in place on the suspension rail.

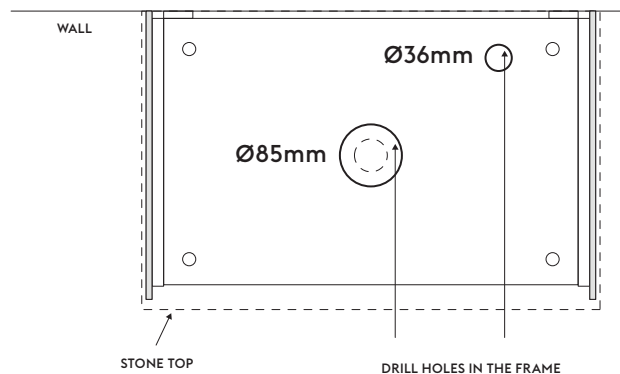
Note that the frame must be attached to the wall, even if you have legs on your vanity unit.

6. Drill the holes in the frame.

Place your stone top on top of the Metod cabinet exactly where it should sit: firmly against the wall and centered sideways on the cabinet. Mark the placement of the two holes. Lift off the stone top. Mark the center of the holes. Drill.

The hole for the sink should be 85 mm in diameter, i.e. larger than the hole in the stone.

NOTE! If your pipe come out of the floor, you should also drill a hole for this in the bottom of the frame.



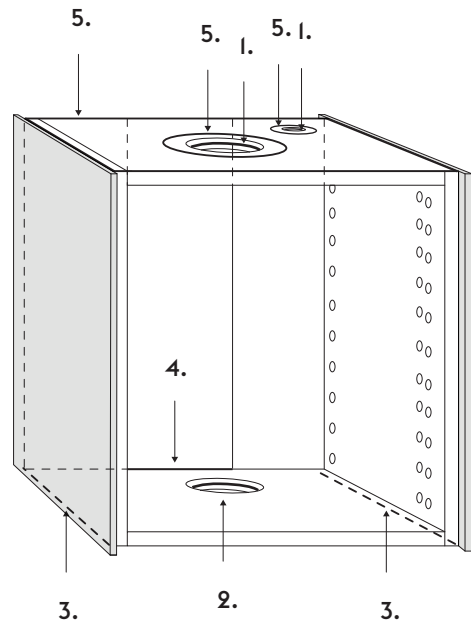
7. Seal with silicone.

It's important that the sealing with silicone is done properly so that we can ensure the longevity of your vanity unit.

1. Seal the drill holes using silicone. The entire surface on the inside of the holes must be properly sealed with silicone.
2. If you made a hole in the bottom of the frame, this should also be properly sealed with silicone.
3. Seal the joints on the underside, between the cabinet frame and the side panel.
4. Seal the groove at the bottom of the frame where the middle part of the back piece is missing.

TIP! Be sure to impregnate the stone top now, if you haven't already done so!

5. Before mounting the stone top, place silicone in the joints between the Superfront sides and the sides of the frame, along the front and back edges and around the holes.



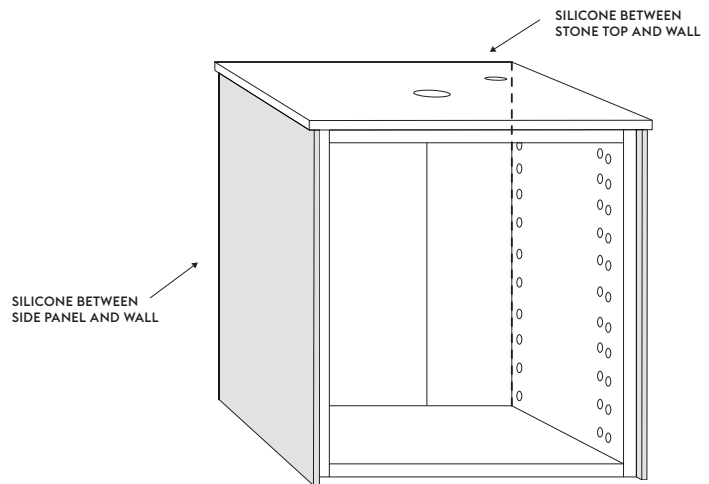
Safety!

Be sure to always secure your vanity unit to the wall, regardless of whether you'll have legs on your furniture or not. Use the fittings provided by Ikea. We also recommend that you use Ikea's mounting rail; it makes the installation easier and more stable. Note that all plumbing work must be performed by an authorized specialist. All other installations must be carried out according to the instructions. This is of paramount importance for the warranty to be valid.

8. Attach the stone top to the cabinet.

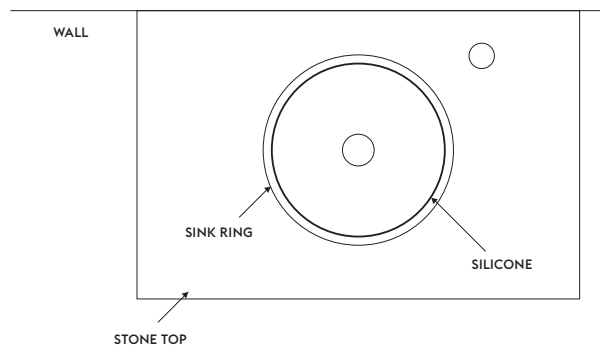
We recommend impregnating your stone top with the product that we sent along, before mounting it.

Place the stone top in position and press firmly. Seal the joint between the stone top and the wall, and between the side panels and the wall, with silicone.



9. Attach the sink ring.

Place the ring centered over the drain hole and secure it with a bead of silicone on the inside. Make sure that it seals all around the ring's inside.



10. Leave this step to the plumber.

Now it's time for your plumber to take over to perform the plumbing work and fix the sink and the mixer tap.

11. Mount the fronts.

See the separate mounting instructions supplied with the hinges/drawers from Ikea.

12. All done!

Your bathroom vanity is now assembled. Hope you're satisfied with the result!

Safety!

Be sure to always secure your vanity unit to the wall, regardless of whether you'll have legs on your furniture or not. Use the fittings provided by Ikea. We also recommend that you use Ikea's mounting rail; it makes the installation easier and more stable. Note that all plumbing work must be performed by an authorized specialist. All other installations must be carried out according to the instructions. This is of paramount importance for the warranty to be valid.