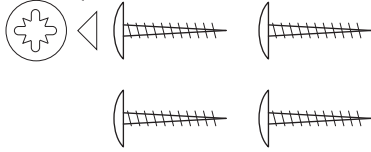


### Content

**Screws 23mm**  
(the number varies depending on the size of the side)



**3M wet wipe**

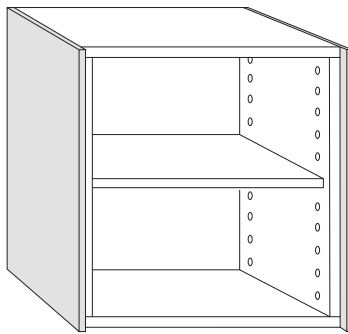


**MountPads 40x25mm**  
(the number varies depending on the size of the side)

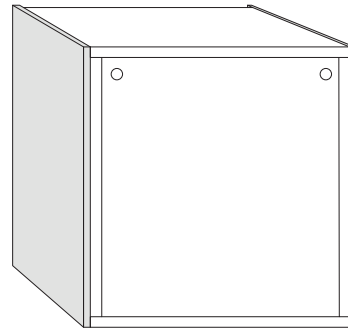


### Finished result

The result varies depending on the size of the frame.



FRONT VIEW



BACK VIEW

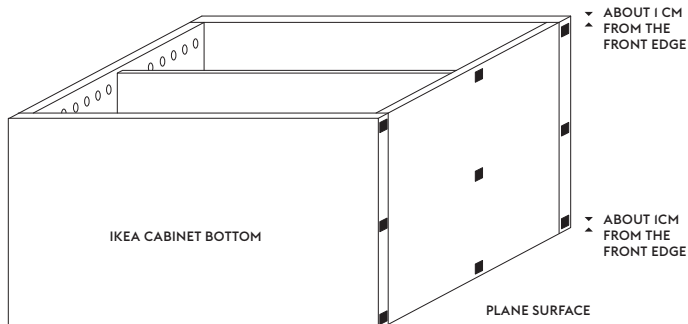
### 1. Clean the surfaces.

Use the supplied 3M wet wipe to clean the surfaces of the cabinet side and the Superfront side.

### 2. Attach the MountPads on the frame.

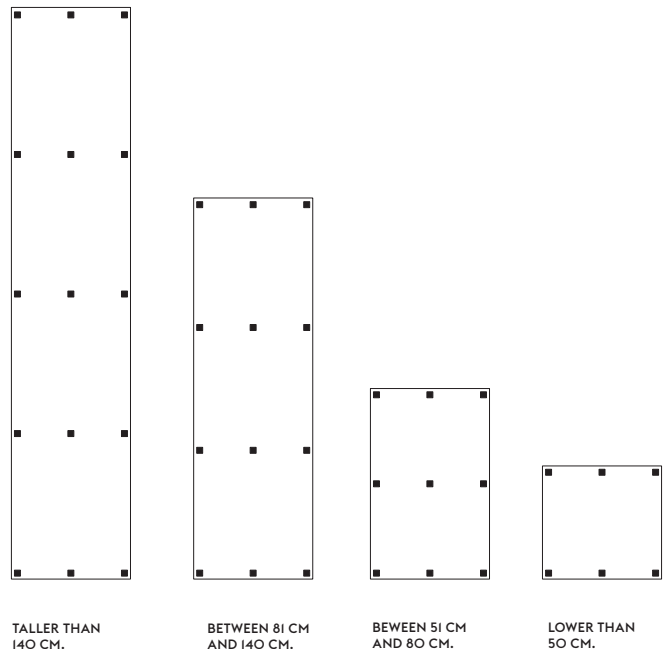
Place the frame on a hard, plane surface with the backside down. Attach one MountPad in each corner of the cabinet side and spread the rest as shown in the picture to the right. Place them about 1 cm from the front and rear edge.

**Note! Do not remove the cover paper from the MountPads yet!**



### Distribution of MountPads.

Here's how the MountPads should be distributed on the side of the cabinet frame.



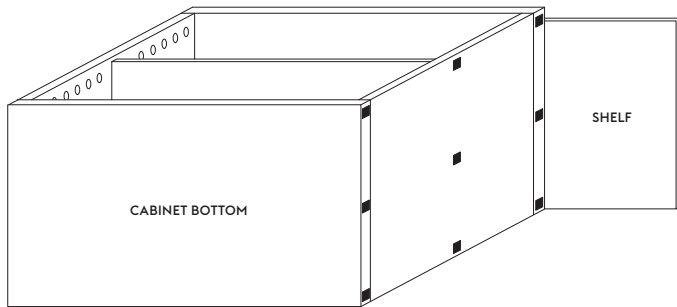
Continued on back page ►

### Safety!

Be sure to always follow the safety instructions that apply to your furniture. Always secure the cabinet to the wall. This also applies to low cabinets where the weight distribution changes drastically when the fronts open. Especially in the case of solid quality fronts as ours. Use the anchor brackets supplied with the Ikea cabinet.

### 3. Place support on the top of the frame.

Hold a shelf or a similar plane surface at the cabinet top. Ask someone for help to make sure that the surface is held tight against the top. This support is for the side to end up exactly at the height of the top of the frame.

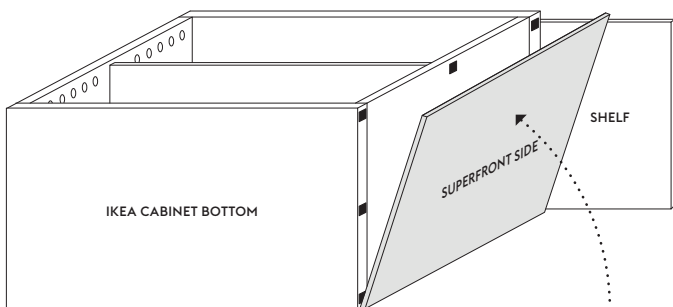


### 4. Tilt the side in place and PRESS.

Do this step first without removing the cover paper on the MountPads so that you get the hang of it before you do it for real.

Place the side as shown below. Be sure to keep the side tight against the shelf at the top. Slowly tilt the side upward until it touches the MountPads. Make sure it ends up in the correct position.

**PRESS HARD OVER EACH MOUNTPAD FOR AT LEAST 30 SECONDS.** This is important because the adhesive in our MountPads cure under pressure.

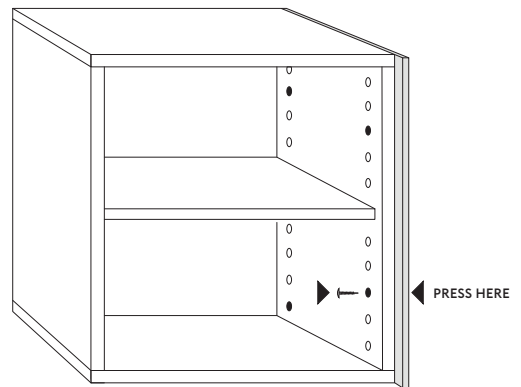


### 5. Drive the screws.

These screws work as additional support for the sides not to slide downwards.

Press with one hand on the outside at the point where you drive the screw.

Spread the screws as evenly as possible without them being in the way of the hinges or shelf supports.



## Safety!

Be sure to always follow the safety instructions that apply to your furniture. Always secure the cabinet to the wall. This also applies to low cabinets where the weight distribution changes drastically when the fronts open. Especially in the case of solid quality fronts as ours. Use the anchor brackets supplied with the Ikea cabinet.