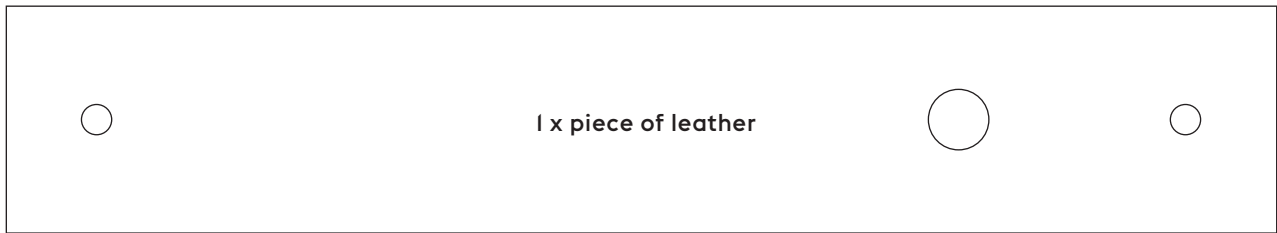
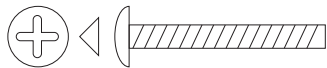


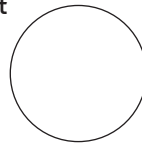
Content



1 x mounting screw M4 x 25mm



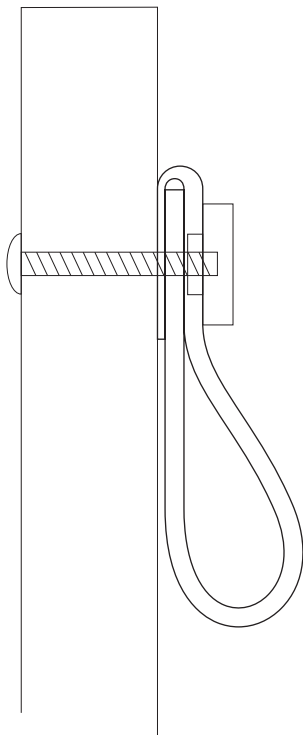
1 x rivet



Mounting

You can, of course, mount your Loop wherever you want. We think it's nice to place the handle 45mm from the edge of the front.

TIP! Drill the hole from the outside of the front. Hold a piece of wood tightly against the back of the front, for the drill to continue into. This will prevent the front from chipping on the back where the drill comes out.



Mounting guide (not drilling template)

