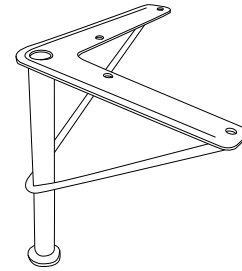
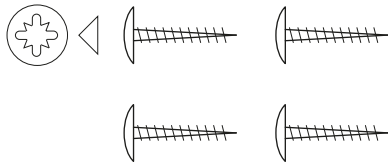


Content

4 x screw I7mm
 Suitable for mounting on Metod or Bestå.
 For mounting on other furniture, see below.

Leg



Mounting on Ikea frames

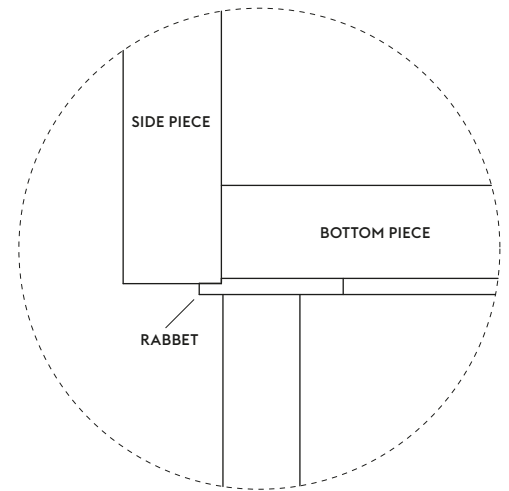
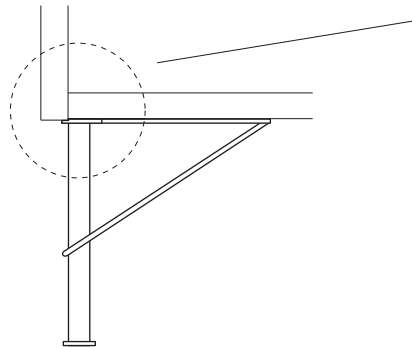
Mounting Slender on an Ikea cabinet differs slightly from frame to frame. See descriptions to the right.

Always use all the screws supplied.

NOTE! You don't need to use all of your extraterrestrial strength for this task. Do it with a firm hand - but not rock-hard.

Ikea Metod

It's very important to mount Slender so that the side piece rests on the small rabbet that runs along the mounting plate.



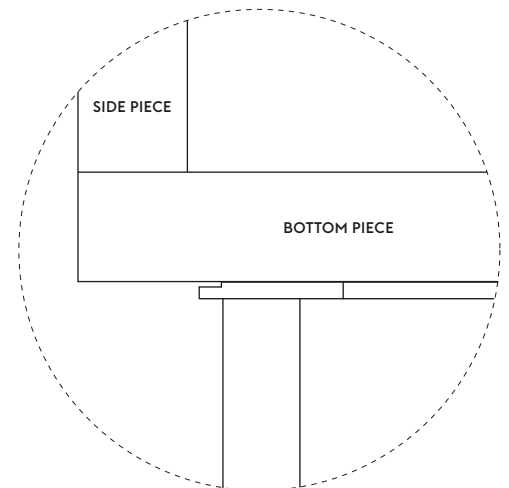
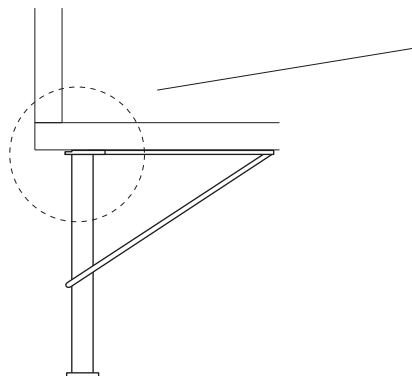
Mounting on beds, sofas or other furniture

For mounting on beds, sofas, or other furniture than Ikea cabinet frames, you are responsible for using suitable screws. It's important that you ensure that the screws are long enough and that they get firmly attached.

NOTE! Make sure that the screws do not end up too close to the edge of the frame / bottom plate.

Ikea Bestå

You can mount Slender where you think it looks best. We think the leg looks great about 25mm from the furniture's side and 25mm from its front edge.



Safety!

Be sure to always follow the safety instructions that apply to your furniture. Always secure the cabinet to the wall. This also applies to low cabinets where the weight distribution changes drastically when the fronts open. Especially in the case of solid quality fronts as ours. Use the anchor brackets supplied with the Ikea cabinet.