

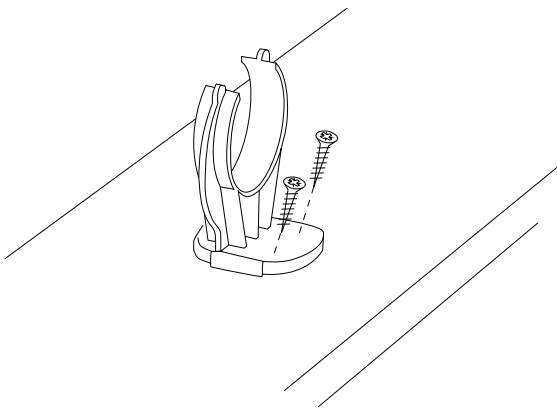
### Content

1 x Plinth 220cm

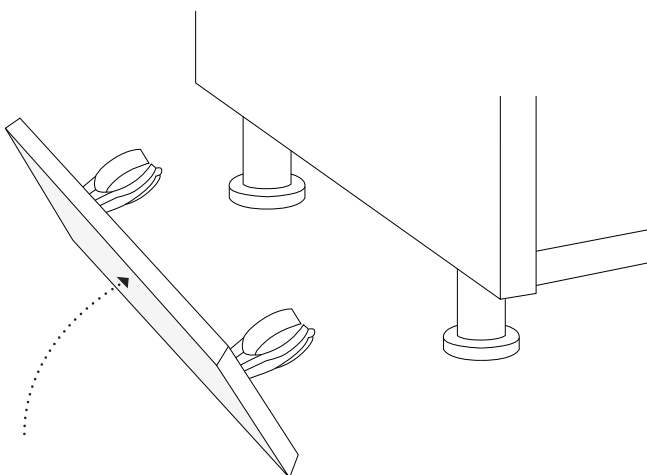


### Mounting

1. Attach the clips to the back of your Plinth so that they align with the legs under the frames. The clip comes with the Metod legs that you buy from Ikea, and is fastened with suitable screws (no longer than 16 mm).

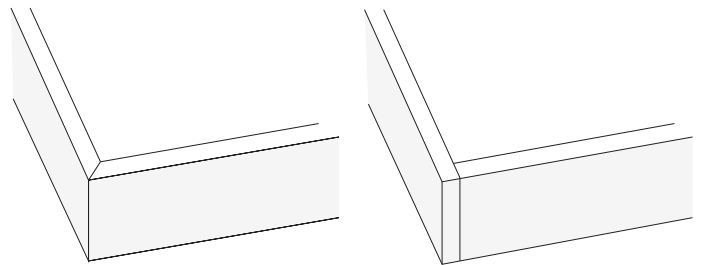


2. Mount your Plinth by clicking the clips onto the plastic legs.

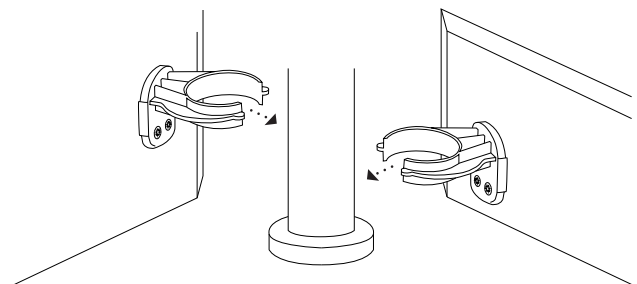


### Corners

1. You get the nicest corners if you mount according to the picture on the left. For this, you need a good saw that can cut the ends at a 45 ° angle. A lacquered Plinth can also be mounted as shown on the right. Just remember to turn a lacquered end outwards so that no cut surface is visible!



2. In the corners, attach the clips at different heights so that you can fit both clips on the same leg.



### NOTE!

If you have an integrated fridge / freezer, it's important to allow the excess heat to be vented out. This can be achieved by mounting a ventilation grill in the Plinth. In case you do not want a grill, you can make a cutout at the top of the Plinth. For this to be neat, you should make sure to use good machines and a steady hand!